



5-PIECE
KICKER PRO
Drum Set Owner's Manual
D2518



5-Piece D2518

Thank you for purchasing this Sound Percussion Labs™ drum set. Please take a few moments to familiarize yourself with this set-up guide so you can assemble your new drums quickly and easily. For additional information as well as troubleshooting advice and parts requests, please visit www.soundpercussionlabs.com.

Table of Contents

D2518 Components	3
Bass Drum Head Assembly	4
Bass Drum Leg Assembly	4
Tom Head Assembly	4
Floor Tom Leg Assembly	5
Mounting the Tom to the Bass Drum	5
Hardware Assembly	6
Cymbal Stand Assembly	6
Snare Drum Stand Assembly	6
Attaching the Bass Drum Pedal	6
Hi-Hat Cymbal Stand Assembly	7
Close Up of Hi-Hat Clutch Assembly	7
Assembling the Drum Throne	8
Top View of Drum Placement	8

**MISSING
— OR —
DAMAGED
PARTS?**

HAVE QUESTIONS?

**CALL
888-680-1701
TOLL FREE**

**— HAVE —
ASSEMBLY
QUESTIONS?**

OR VISIT OUR WEBSITE AT: [HTTP://SOUNDPERCUSSIONLABS.COM/](http://SOUNDPERCUSSIONLABS.COM/)

One (1) Year Limited Warranty

Subject to the limitations set forth below, Sound Percussion Labs™ hereby represents and warrants that the components of this product shall be free from defects in workmanship and materials, including implied warranties of merchantability or fitness for a particular purpose, subject to normal use and service, for one (1) year to the original owner from the date of purchase.

Retailer and manufacturer shall not be liable for damages based upon inconvenience, loss of use of product, loss of time, interrupted operation or commercial loss or any other incidental or consequential damages including but not limited to lost profits, downtime, goodwill, damage to or replacement of equipment and property, and any costs of recovering, reprogramming, or reproducing any program or data stored in equipment that is used with Sound Percussion Labs™ products. This guarantee gives you specific legal rights. You may have other legal rights which vary from state to state. Some states do not allow limitations on how long an implied warranty lasts, so the above limitation may not apply to you.

Sound Percussion Labs
P.O. Box 5111
Thousand Oaks, CA 91359-5111

All trademarks and registered trademarks mentioned herein are recognized as the property of their respective holders.

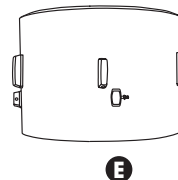
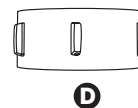
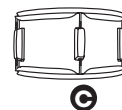
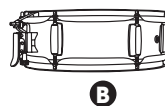
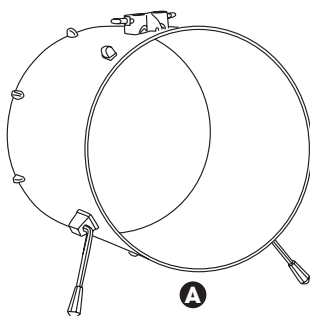
1604-1634265

5-Piece 02518

Components:

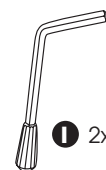
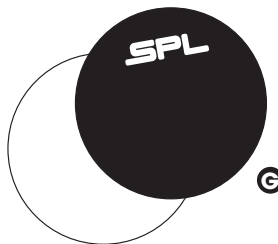
DRUMS:

- A** 18" x 14" Bass Drum
- B** 12" x 5" Snare
- C** 8" x 5" Tom
- D** 10" x 5" Tom
- E** 12" x 10" Floor Tom
- F** Tom Arms (2x)



DRUM HEADS:

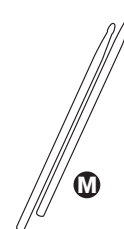
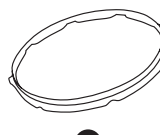
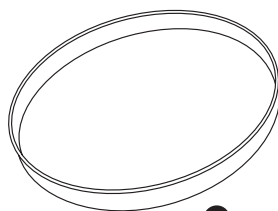
- G** 18" Clear Bass Drum Head
- 18" Black with logo Bass Drum Head
- 12" Batter Side Floor Tom Head
- 12" Resonant Side Floor Tom Head
- 10" Batter Side Tom Head
- 10" Resonant Side Tom Head



Note - Snare drum and 8" x 5" Tom come assembled

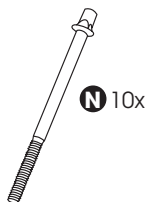
LEGS:

- H** Floor Tom Legs (3x)
- I** Bass Drum Spurs (2x)



OTHER PARTS:

- J** Bass Drum Hoops (2x)
- K** 12" Floor Tom Hoops (2x)
- 10" Tom Hoops (2x)
- L** Bass Drum Pedal
- M** Pair of Drumsticks

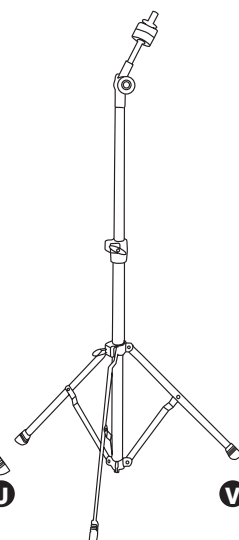
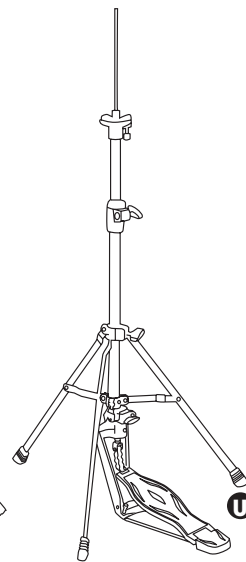
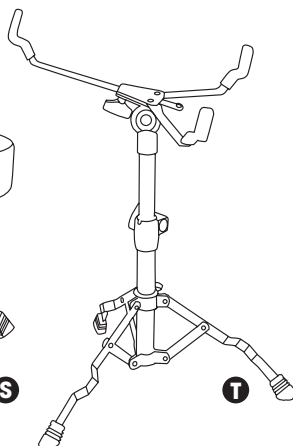
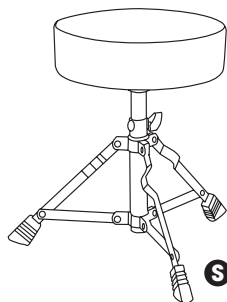


BAG PACKAGE PARTS:

- N** Long Tension Rods (10x)
- O** Short Tension Rods (16x)
- P** Bass Drum Claw Hooks (16x)
- Q** Drum Key
- R** Washers (26x)

STANDS:

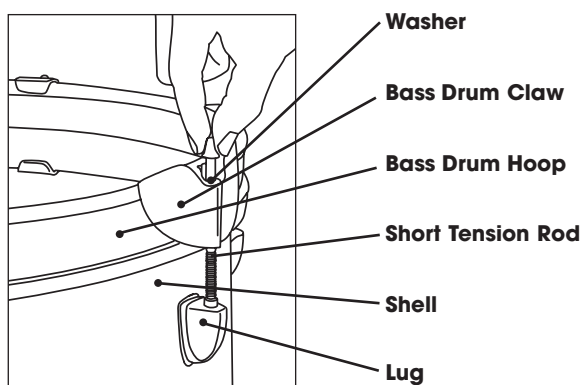
- S** Throne
- T** Snare Stand
- U** Hi-Hat Stand
- V** Cymbal Stand



5-Piece D2518

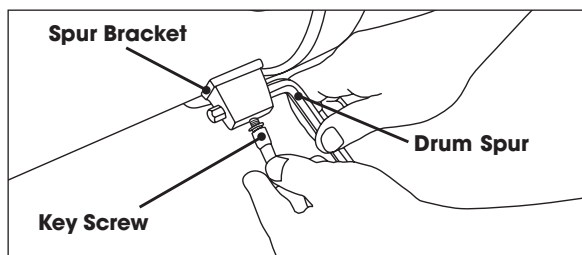
Assembly Instructions

Bass Drum Head Assembly



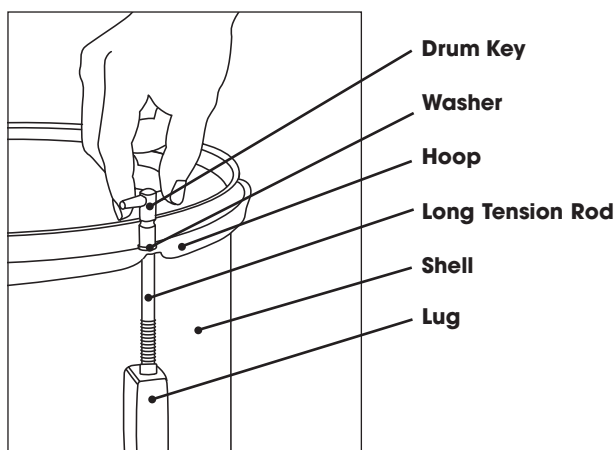
1. Place black bass drum head with the SPL logo on front of the bass drum shell.
2. Place bass drum hoop onto drum head.
3. Insert short tension rod / washer / bass drum claw hook assembly into bass drum lug. Make sure claw hook is secure on the bass drum hoop. Tighten with your fingers.
4. Repeat this for all the lugs on one side of the drum.
5. After all tension rods on one side are finger tight, use the drum key to tighten the #1 tension rod 3 turns. Follow these steps for tension rods #2 through #8 in a criss-cross pattern as shown. Repeat this pattern, tightening each rod one half turn until the drum head is taut and wrinkle free.
6. Repeat for the clear batter head on the opposite side of the drum.

Bass Drum Leg Assembly (Spurs)



1. Loosen key screw on spur bracket.
2. Insert drum spur.
3. Tighten key screw with drum key on the spur bracket.

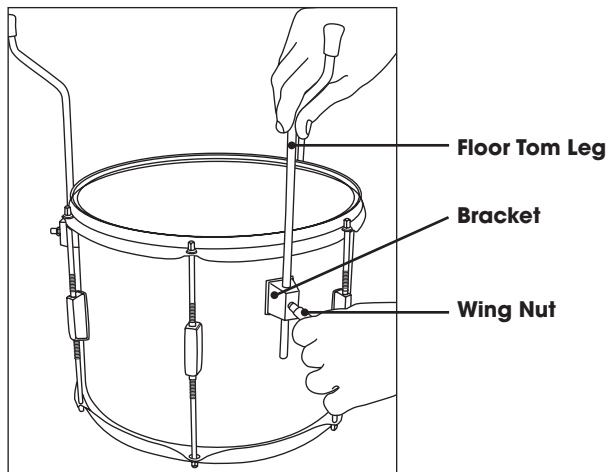
Tom Head Assembly



1. Place head on top of the drum shell.
2. Place metal hoop onto drum head, aligning the holes in hoop with the drum lugs.
3. Insert long tension rods with metal washer through the holes in the hoop.
4. Thread the tension rod into the lug and finger tighten.
5. Repeat with the rest of the tension rods for the top of the drum. Using the drum key, gradually tighten each tension rod in equal amounts using the same criss-cross pattern as done on the bass drum until the head is taut and wrinkle free.
6. Repeat for the bottom head.

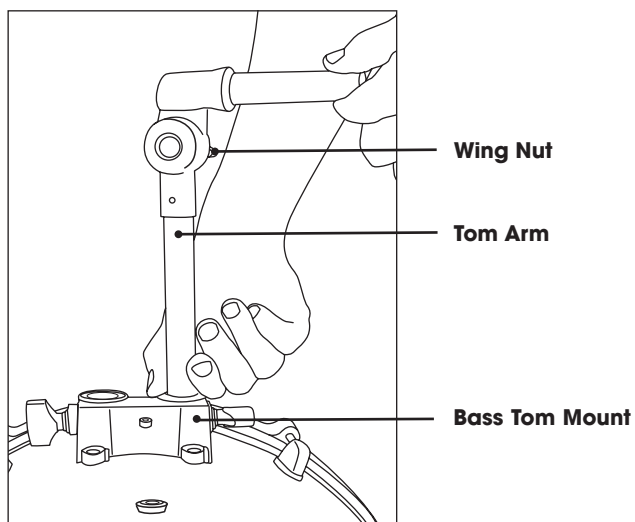
5-Piece 02518

Floor Tom Leg Assembly

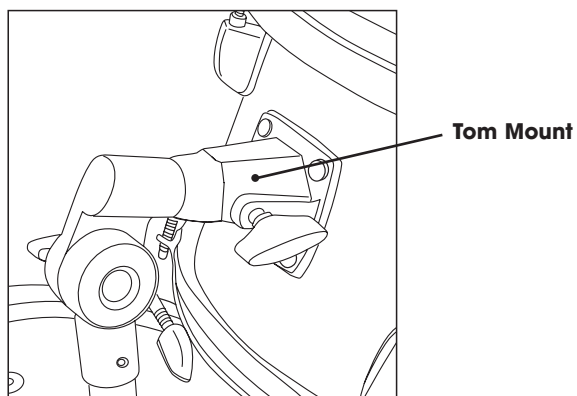


1. Loosen wing nut on the leg bracket.
2. Insert floor tom leg into the bracket. Adjust to desired height.
3. Tighten the wing nut on the leg bracket.
4. Repeat for remaining legs.

Mounting the Toms to the Bass Drum

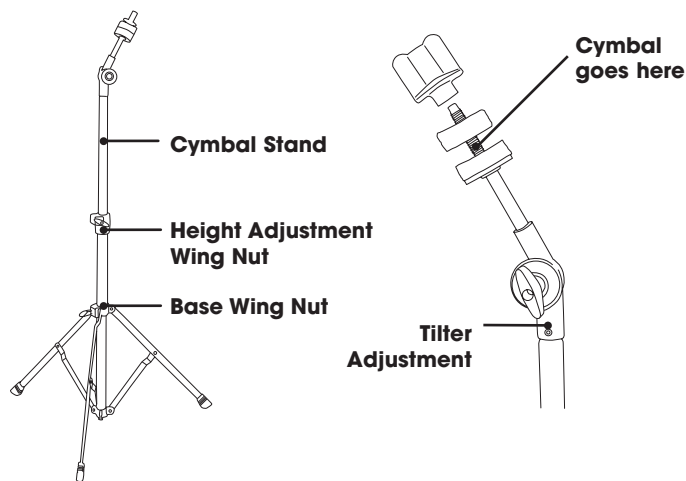


1. Insert long section of the tom arm a few inches into the bass tom mount.
2. Tighten the wing nut on the bass tom mount.
3. Loosen the wing nut on the tom arm and angle the top part of the tom arm to just below horizontal and retighten the wing nut.
4. Place the mounted tom onto the tom arm and tighten the wing nut on the tom mount.
5. Repeat for the second tom.



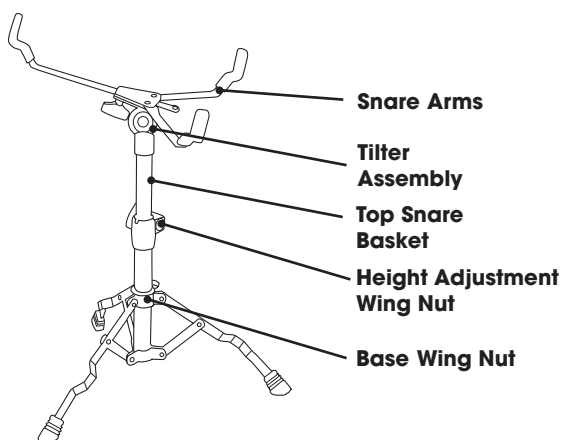
5-Piece D2518

Cymbal Stand Assembly



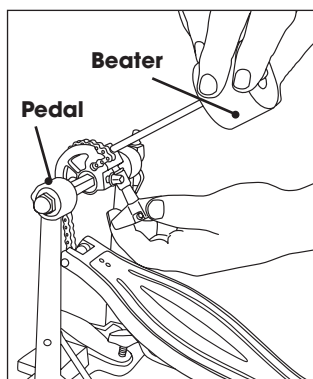
1. Extend legs to open position. Tighten wing nut at base.
2. Slide upper tube into base and set desired height by tightening the wing nut.
3. Place cymbal between felt pads. Tighten wing nut above cymbal only enough to hold cymbal and felts, but loose enough to let cymbal move freely when struck.
4. Set desired cymbal angle using tilter adjustment.

Snare Drum Stand Assembly

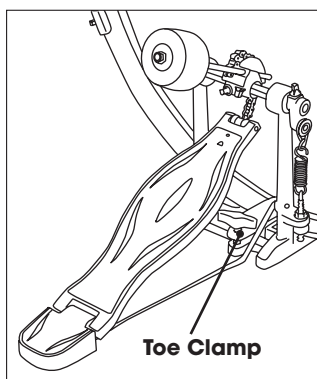


1. Extend legs into open position, tighten wing nut at base.
2. Insert top snare basket into bottom snare leg assembly and tighten the wing nut at the desired height.
3. Adjust the basket to the desired angle with the tilter assembly.
4. Place drum in snare basket. The snare arms should be adjusted to fit the drum at the three points.

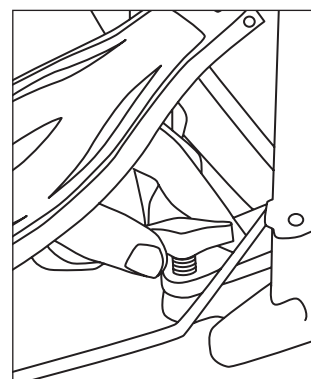
Attaching the Bass Drum Pedal



1. Insert the felt beater into the bass drum pedal and tighten with the drum key.



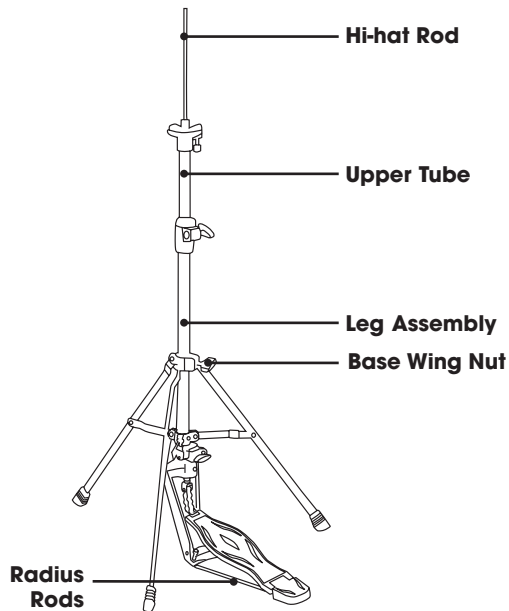
2. Attach bass pedal to the bass drum hoop via the toe clamp.



3. Tighten the wing nut on the toe clamp until secure.

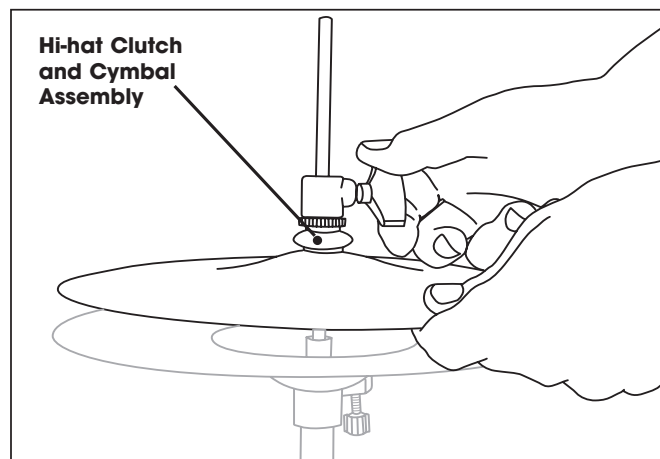
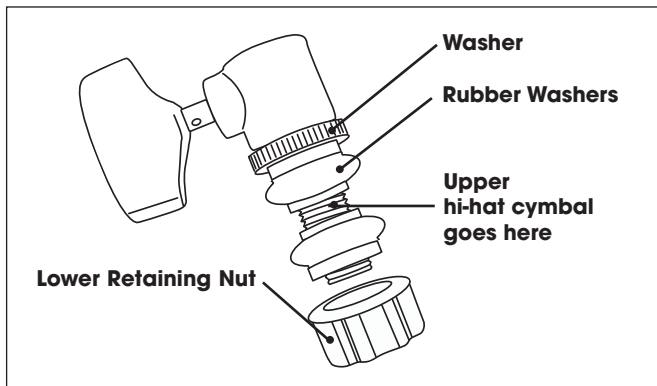
5-Piece 02518

Hi-Hat Cymbal Stand Assembly



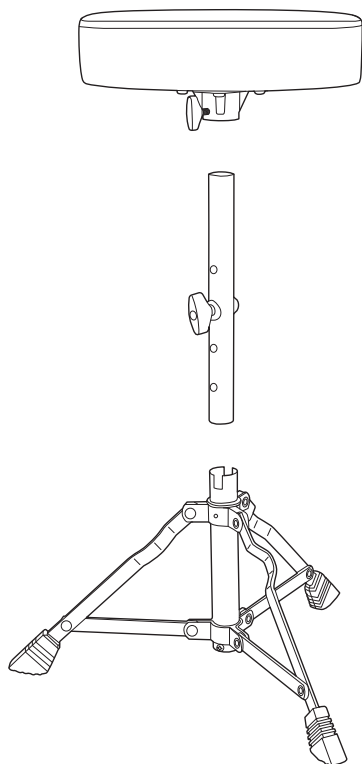
1. Extend legs to open position. Tighten wing nut at base. Insert pedal radius rods into base.
2. Unfold hi-hat rod and hold upright.
3. Slide upper tube over the hi-hat rod and into leg assembly. Tighten the wing nut at desired height.
4. Place one hi-hat cymbal onto the hi-hat rod with the bottom side of the cymbal facing up.
5. Remove lower retaining nut and one rubber washer from hi-hat clutch. Place the hi-hat clutch into the top of the second hi-hat cymbal, and reassemble the rubber washer and retaining nut under the cymbal. The cymbal should rest between the two rubber washers.
6. Place the hi-hat clutch and cymbal assembly onto the hi-hat rod. Tighten the wing nut on the hi-hat clutch with the top cymbal approximately one inch above the lower cymbal. Depressing the hi-hat pedal will engage the two cymbals.

Close Up of Hi-Hat Clutch Assembly



5-Piece D2518

Assembling the Drum Throne



1. Fold out legs of base.
2. Place upper tube into base and tighten height adjustment wing nut. Use the second hole position as shown for comfortable playing style.
3. Place seat top and tighten wing nut.

Top View of Drum Placement

