



STREET BOP

S5418SMG VELOCITY SERIES 4PC SHELL PACK



Cymbals, stands, pedal
and throne not included.

Thank you for purchasing this shell pack kit from Sound Percussion Labs' outstanding line of drums, percussion and hardware. They offer unlimited enjoyment and will create a solid foundation for your playing.

These instructions should be used as only a general guide. Make adjustments for your comfort and playing style. Experimentation can lead to unique and great experiences in your playing and your music. So experiment with your setup and enjoy!

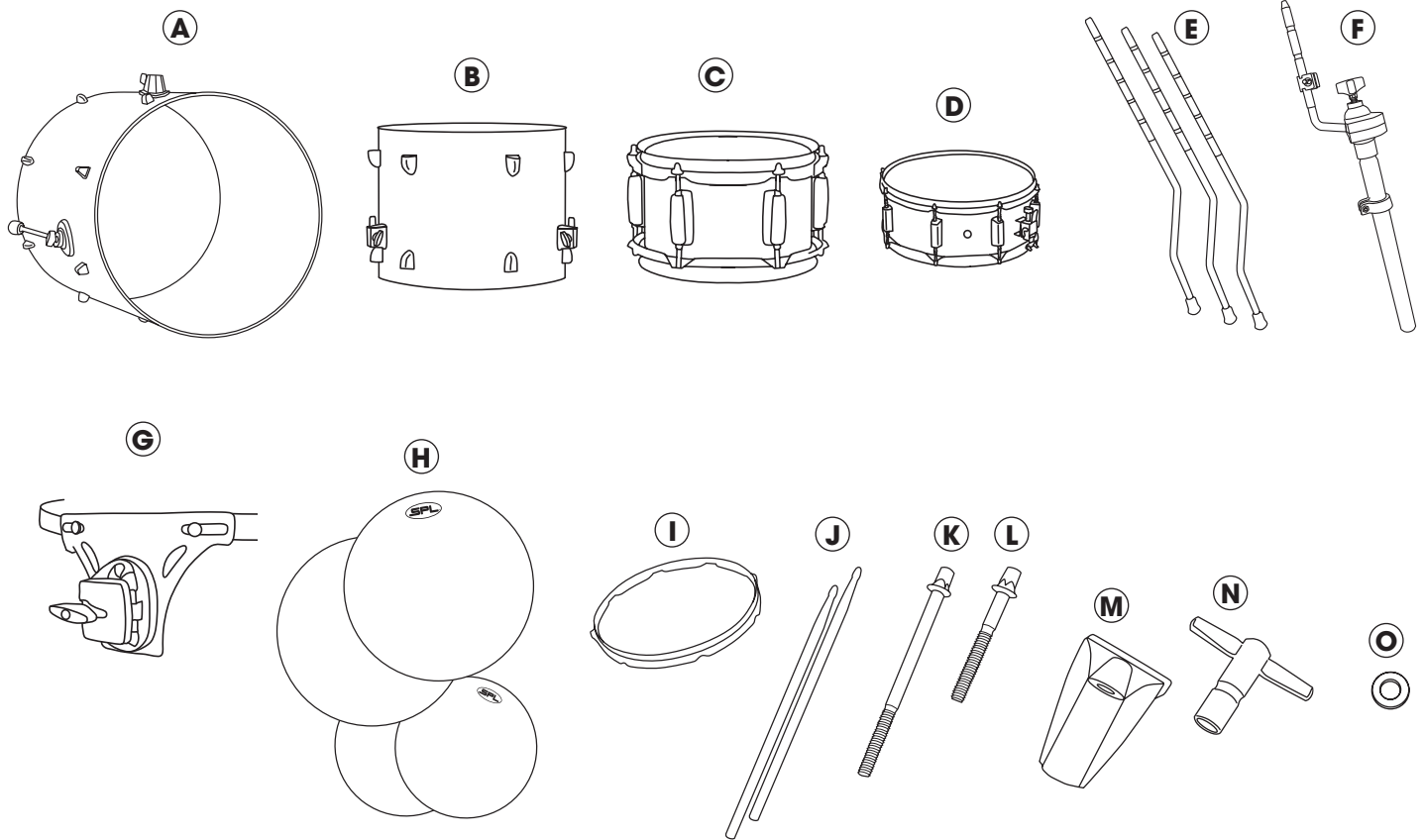
Also, be sure to visit www.soundpercussionlabs.com for more information on Sound Percussion Labs products and support.

Table of Contents

S5418SMG Parts Index.....	3
Bass Drum Head Assembly.....	4
Bass Drum Leg Spur Assembly.....	4
Floor Tom Head Assembly.....	5
Floor Tom Leg Assembly.....	5
Attaching the Suspension Mount.....	6
Mounting the Tom to the Bass Drum.....	6
Top View of Shell Pack Drum Placement.....	7

4-Piece *STREET/BOP* Parts Index

S5418SMG



SET INCLUDES:

Drums:

- A** 18"x16" Bass Drum
- B** 13"x13" Floor Tom Drum
- C** 10"x 7" Mounted Tom Drum
- D** 13"x 5" Snare Drum
- E** Three Floor Tom Legs
- F** Tom "L" Arm Holder
- G** Suspension Mount

H Drum Heads:

- 18" Coated Batter Side Bass Drum Head
- 18" Smooth White Resonant Side Bass Drum Head
- 13" Coated Batter Side Floor Tom Drum Head
- 13" Smooth White Resonant Side Floor Tom Drum Head

I Hoops:

- Two Floor Tom Hoops
- Two Bass Drum Hoops

J Pair of Drumsticks

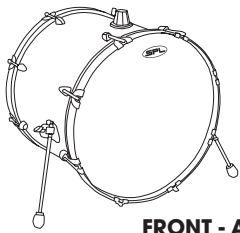
Bag Packaged Parts:

- K** 16 Long Tension Rods for Bass Drum
- L** 12 Short Tension Rods for Floor
- M** 16 Bass Drum "Claws"
- N** Drum Key
- O** Washers

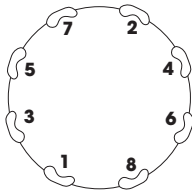


Assembly Instructions: S5418SMG

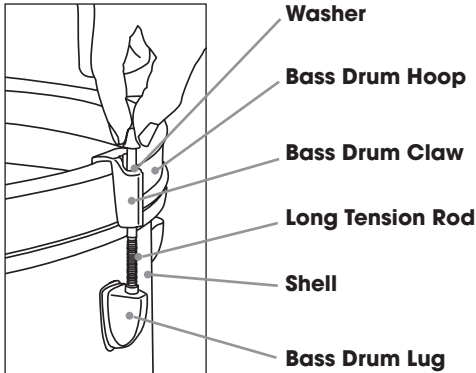
Bass Drum Head Assembly



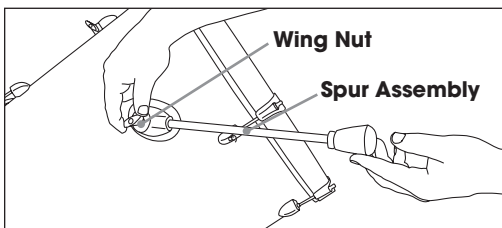
FRONT - Audience Side



1. Place smooth white resonant side bass drum head with the SPL logo on front of the bass drum shell.
2. Place bass drum hoop onto drum head.
3. Insert long tension rod / washer / bass drum claw hook assembly into bass drum lug. Make sure claw hook is secure on the bass drum hoop. Tighten with your fingers.
4. Repeat this for all the lugs on one side of the drum.
5. After all tension rods on one side are finger tight, use the drum key to tighten the #1 tension rod 3 turns. Follow these steps for tension rods #2 through #8 in a criss-cross pattern as shown. Repeat this pattern, tightening each rod one half turn until the drum head is taut and wrinkle free.
6. Repeat for the coated white batter head on the player's side of the drum.

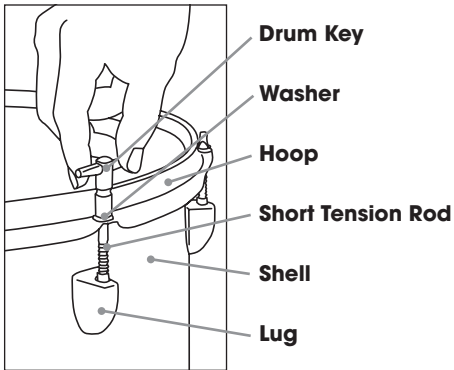


Bass Drum Leg Assembly (Spurs)



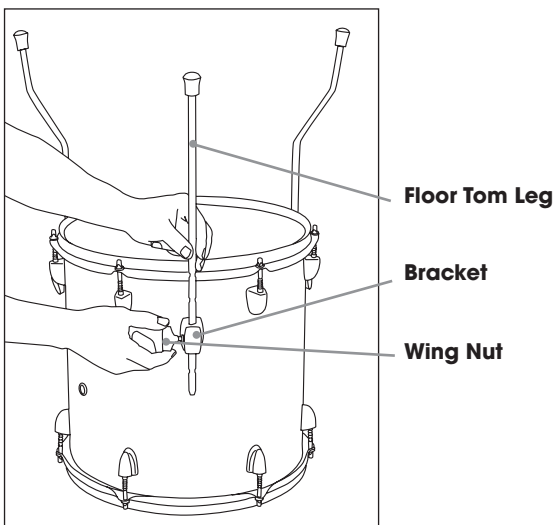
1. Loosen wing nut on spur assembly.
2. Rotate the bass drum spur down and forward.
3. Tighten the bass drum spur into the forward position.

Floor Tom Head Assembly



1. Place coated white batter drum head on top of the drum shell.
2. Place the metal hoop over the drum head, aligning the holes in the hoop with the drum lugs.
3. Insert short tension rods with metal washers through the holes in the hoop.
4. Thread the tension rods into the lugs and finger tighten.
5. Using the drum key, gradually tighten each tension rod in equal amounts using the same criss-cross pattern as done on the bass drum until the head is taut and wrinkle free.
6. Repeat above steps for the bottom of the drum with the smooth white resonant side drum head.

Floor Tom Leg Assembly

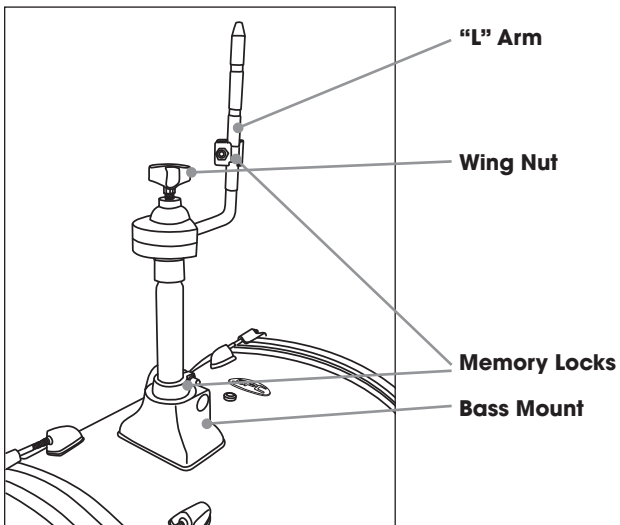


1. Insert floor tom leg into the bracket.
2. Tighten the wing nut on the bracket.
3. Repeat for remaining legs.
4. Adjust height of legs for comfortable playing style.

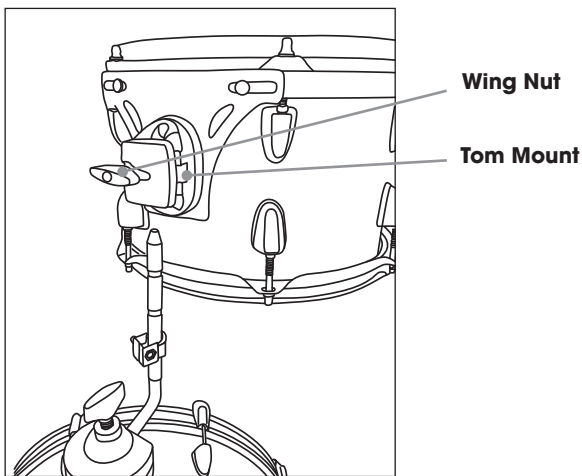
Attaching the Suspension Mount

1. The 10" tom utilizes a suspension mount that allows the shell to fully resonate.
2. Remove 4 tension rods from the top of the drum, accounting for position of the drum badge to face the audience.
3. Then position suspension mount under the drum hoop and replace the 4 tension rods.
4. The Tom is now ready to use.

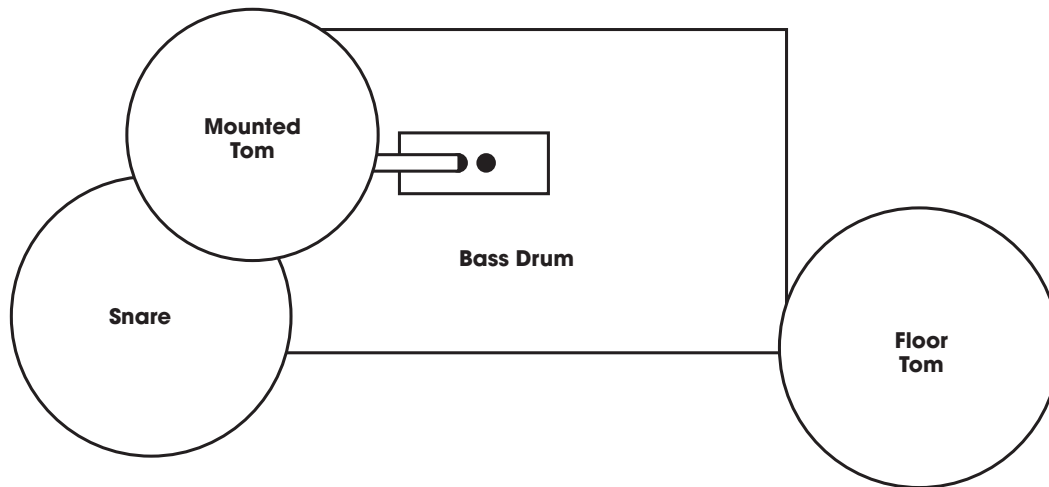
Mounting the Tom to the Bass Drum



1. Insert long section of the tom L-arm holder a few inches into the bass mount.
2. Tighten the wing nut on the bass mount.
3. Loosen the wing nut on the tom arm and position the tom arm as shown and retighten the wing nut.
4. Place the mounted tom onto the tom arm and tighten the wing nut on the tom mount.
5. Adjust height and angle of toms for comfortable playing style.
6. Secure memory locks for additional stability and memory by tightening the collar of the memory lock to the mounts of the bass and tom. The next time you need to set up the drums, the memory locks will ensure the same angle and height.



Top View of Shell Pack Drum Placement: S5418SMG



One (1) Year Limited Warranty

Subject to the limitations set forth below, Sound Percussion Labs™ hereby represents and warrants that the components of this product shall be free from defects in workmanship and materials, including implied warranties of merchantability or fitness for a particular purpose, subject to normal use and service, for one (1) years to the original owner from the date of purchase.

Limits of Liability

Retailer and manufacturer shall not be liable for damages based upon inconvenience, loss of use of product, loss of time, interrupted operation or commercial loss or any other incidental or consequential damages including but not limited to lost profits, downtime, goodwill, damage to or replacement of equipment and property, and any costs of recovering, reprogramming, or reproducing any program or data stored in equipment that is used with Sound Percussion Labs™ products. This guarantee gives you specific legal rights. You may have other legal rights which vary from state to state. Some states do not allow limitations on how long an implied warranty lasts, so the above limitation may not apply to you.

Sound Percussion Labs
PO. Box 5111
Thousand Oaks, CA 91359-5111

All trademarks and registered trademarks mentioned herein are recognized as the property of their respective holders.

1406-10186



